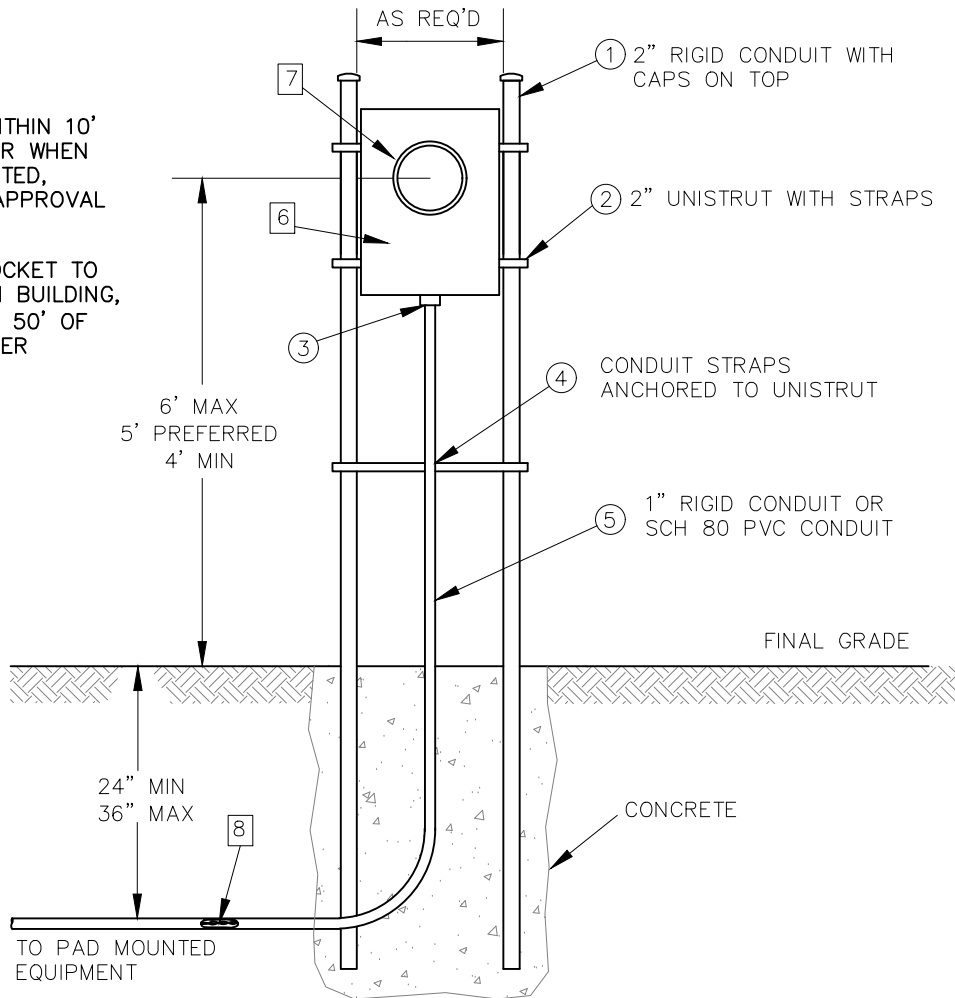




FOR 3-PH SERVICE IN TRANSFORMER OVER 500 KVA

NOTE:
METER TO BE WITHIN 10'
OF TRANSFORMER WHEN
PEDESTAL MOUNTED,
UNLESS PRIOR APPROVAL
FROM IPL

WHEN METER SOCKET TO
BE MOUNTED ON BUILDING,
MUST BE WITHIN 50'
OF
THE TRANSFORMER



ITEM SUPPLIED BY UTILITY AND
INSTALLED BY THE MEMBER:

- 6. FORM 9S, 13 TERMINAL METER SOCKET

ITEMS INSTALLED BY THE UTILITY:

- 7. METER
- 8. SERVICE LINE IN CUSTOMER CONDUIT FROM TRANSFORMER TO METER LOCATION

ITEMS INSTALLED BY THE MEMBER:

- 1. 2" GALVANIZED RIGID STEEL CONDUIT WITH CAPS ON TOP
- 2. C CHANNEL STRUT WITH PIPE CLAMPS
- 3. INSULATING BUSHINGS AND LOCKNUT
- 4. CONDUIT STRAPS ANCHORED TO UNISTRUT
- 5. 1" SCH 80 GREY SERVICE CONDUIT TO TRANSFORMER LOCATION