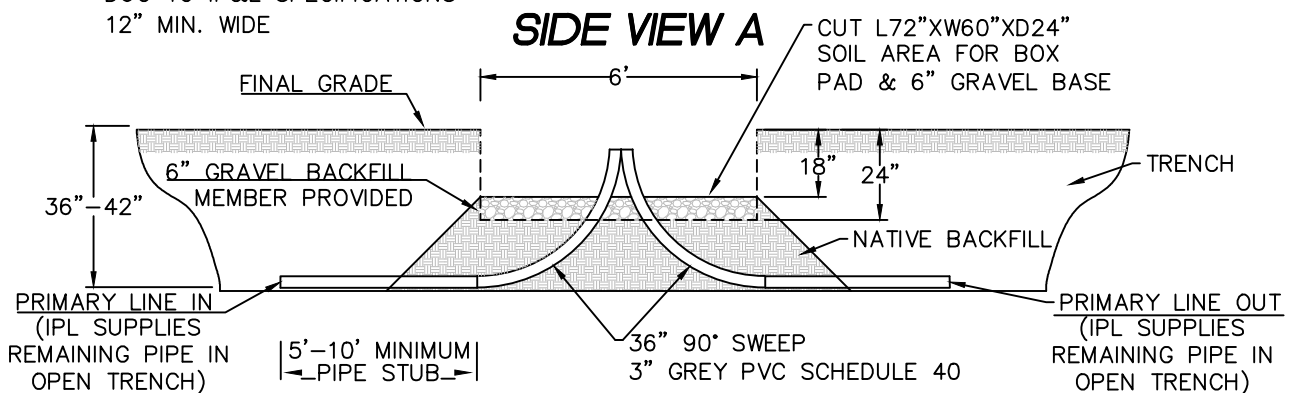
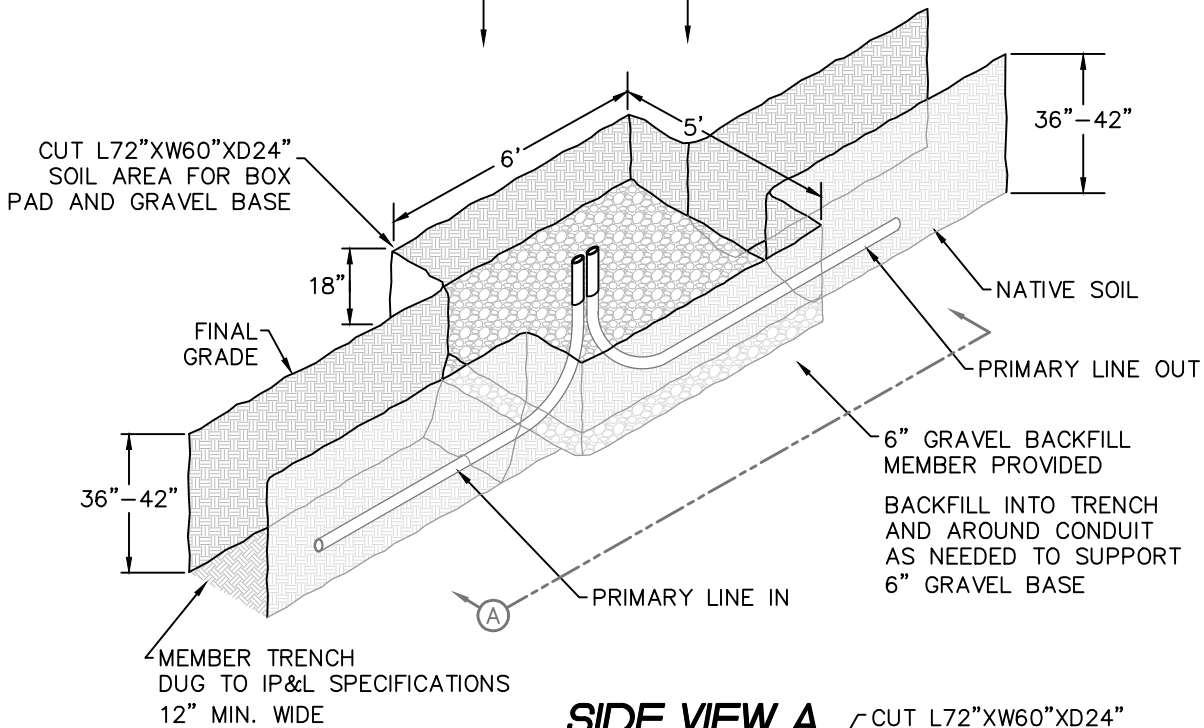
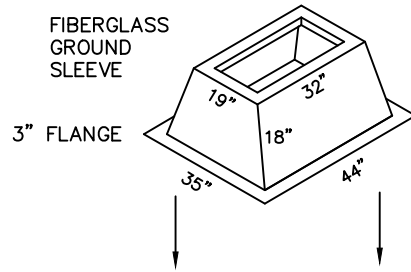
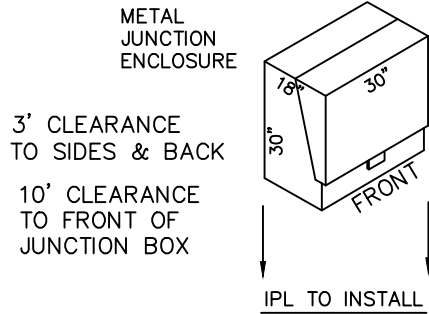




### NOTES:

1. MEMBER TO EXCAVATE L72"XW60"XD24" AREA FOR JUNCTION ENCLOSURE BOX PAD.
2. MEMBER TO PROVIDE LEVEL GRAVEL BACKFILL OF NO LESS THAN 6" (5/8" MINUS GRAVEL) IN DEPTH AT BOTTOM OF BOX PAD AREA.
3. USE GRAY 3" SCHEDULE 40 PVC CONDUIT ONLY.
4. SERVICE WILL NOT BE CONNECTED UNTIL INSPECTION BY IP&L STAFF HAS BEEN PERFORMED AND APPROVED. CALL TO ARRANGE INSPECTION TIME.
5. IPL REQUIRES HORIZONTAL CLEARANCES OF 10' TO FRONT OF TRANSFORMER AND 3' ON SIDES AND BACK.
7. PIPE ORIENTATION OR CONFIGURATION MAY VARY DEPENDING ON SITE LAYOUT.
8. ADDITIONAL PIPE STUBS OUT MAY BE REQUIRED, DEPENDING ON SITE LAYOUT.



INLAND POWER WILL NOT ENERGIZE ITS FACILITIES UNTIL BACKFILL IS COMPLETED