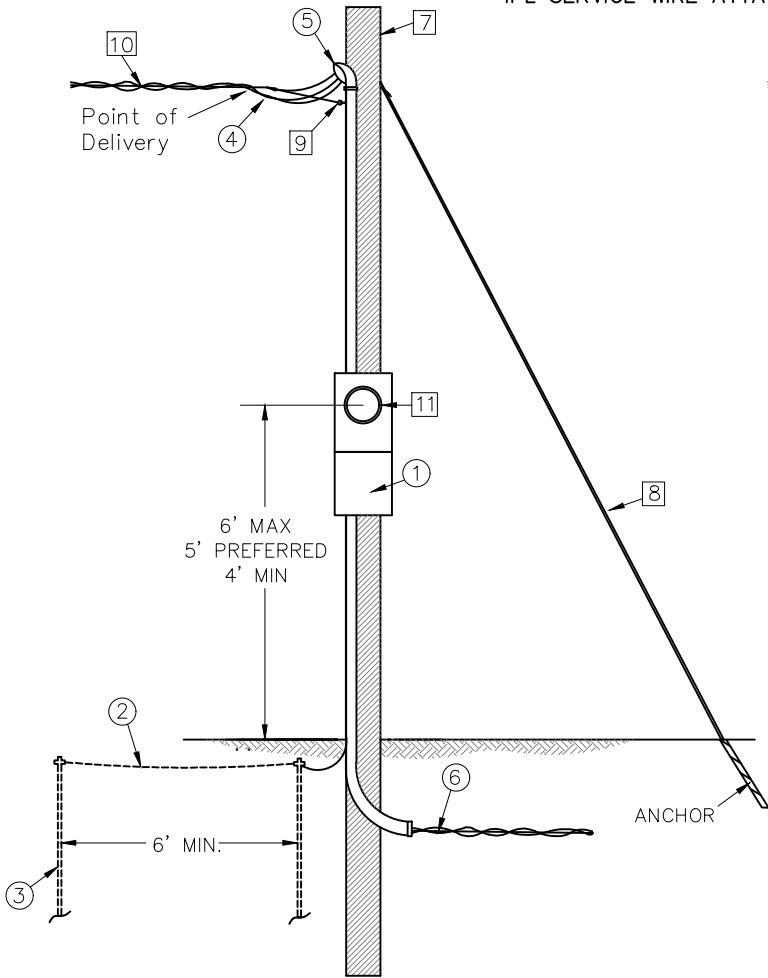
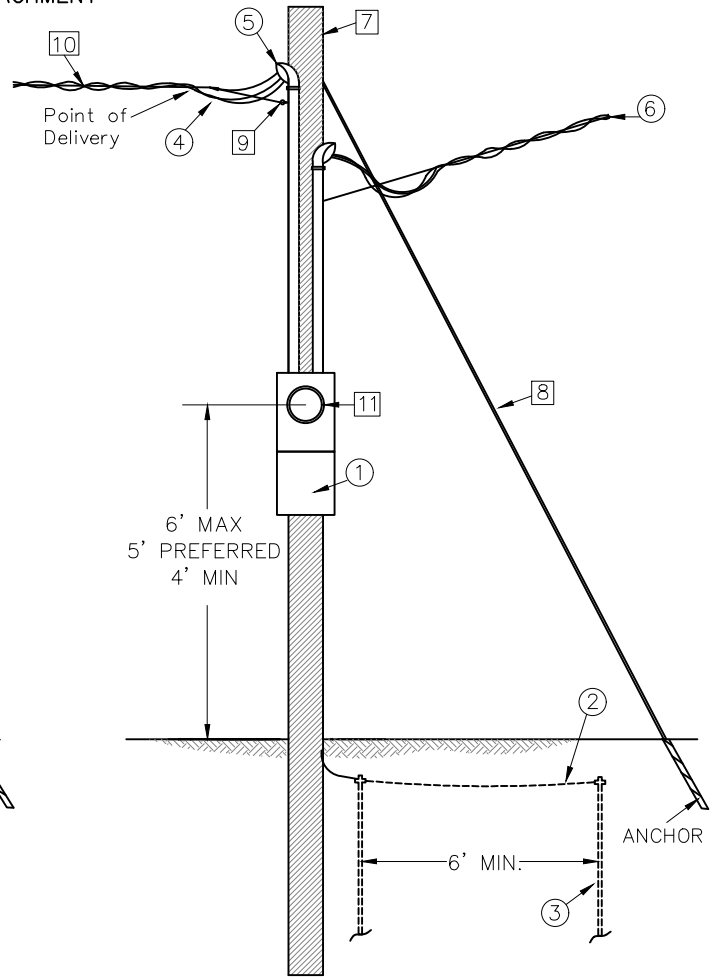




WEATHERHEAD MUST EXTEND ABOVE  
IPL SERVICE WIRE ATTACHMENT



OVERHEAD-UNDERGROUND



OVERHEAD-OVERHEAD

**NOTES:**

LOCATION OF THE PERMANENT SERVICE MAY REQUIRE ADDITIONAL POLE HEIGHT. THE SERVICE MAST MUST BE TALL ENOUGH TO PROVIDE REQUIRED CLEARANCES FROM GROUND TO SERVICE CONDUCTORS EVERYWHERE IN THE SPAN (REFER TO VERTICAL CLEARANCES). METER POLE IS FURNISHED AND INSTALLED BY INLAND POWER AND LIGHT. A 400 AMP SERVICE ON A METER POLE REQUIRES APPROVAL AND ADDITIONAL INFORMATION FROM THE IPL DESIGN DEPARTMENT.

**ITEMS OWNED AND INSTALLED BY THE MEMBER:**

1. METER SOCKET AND DISTRIBUTION PANEL (100-200AMP, 120/240 VOLT)
2. GROUND WIRE IN ACCORDANCE WITH NEC
3. GROUND RODS IN ACCORDANCE WITH NEC
4. SERVICE ENTRANCE CONDUCTORS - 24" OUT OF WEATHERHEAD
5. CONDUIT RISER AND WEATHERHEAD
6. SERVICE CONDUCTORS TO LOAD IN ACCORDANCE WITH NEC

**ITEMS OWNED AND INSTALLED BY THE UTILITY:**

7. METER POLE
8. DOWN GUY & ANCHOR (REQUIRED FOR SERVICES OVER 50 FEET FROM THE UTILITY'S POLE OR AT IPL DISCRETION)
9. INSULATED CLEVIS
10. SERVICE LINE
11. METER